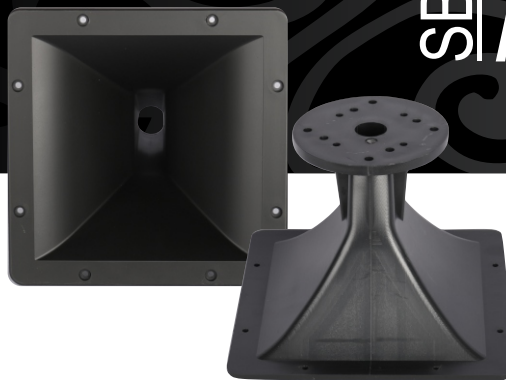


# HORN H225

Horn - 1" 90°(H) x 70°(V)

BIANCOSOUND



- 1" Throat entry
- 90° x 70° nominal coverage
- Excellent loading down to 600 Hz
- Constant directivity

## Dimensions & Weight

|                               |   |
|-------------------------------|---|
| Horn material                 | ABS Plastic                                     |
| Horn finish                   | Black   |
| Overall dimensions            |   |
| Mouth height                  | 223.5 mm (8.80 in)                              |
| Mouth width                   | 223.5 mm (8.80 in)                              |
| Length                        | 161 mm (6.33 in)                                |
| Net weight                    | 0.58 kg (1.27 lb)                               |
| Gross weight                  | 0.7 kg (1.54 lb)                                |
| Carton dimensions (W x D x H) | 256 x 256 x 170 mm<br>(10.07 x 10.07 x 6.69 in) |

## Specs :

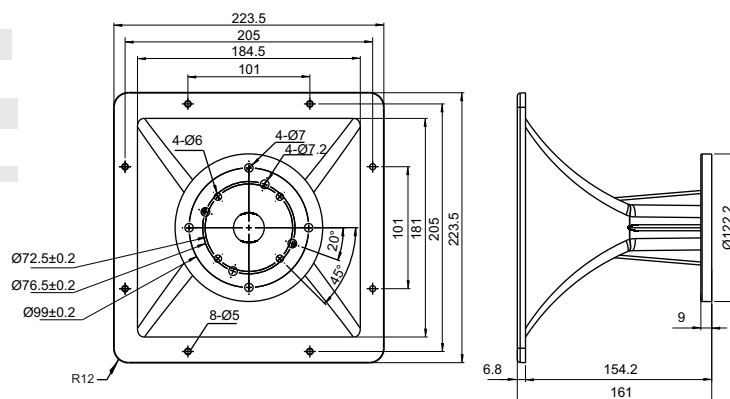
|  |                 |
|--|-----------------|
| Nominal coverage                           |                 |
| Horizontal                                 | 90 degrees      |
| Vertical                                   | 70 degrees      |
| Directivity                                |                 |
| Directivity factor (Q)                     | 8               |
| Directivity index (Di)                     | 9 dB            |
| Sensitivity                                |                 |
| On driver.1W@1m, on axis <sup>1</sup>      | 109 dB          |
| Frequency response @-10dB <sup>2</sup>     | 600 Hz - 20 kHz |
| Nominal throat diameter                    | 25.4 mm (1 in)  |
| Minimum recommended crossover <sup>3</sup> | 700 Hz          |

## Mounting information

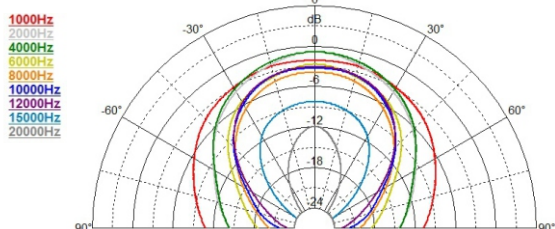
|  |                    |
|--|--------------------|
| Mechanical connection of driver        | Bolt on            |
| Baffle cutout dimensions (front mount) |                    |
| Horizontal                             | 184.5 mm (7.26 in) |
| Vertical                               | 181 mm (7.12 in)   |

## NOTES :

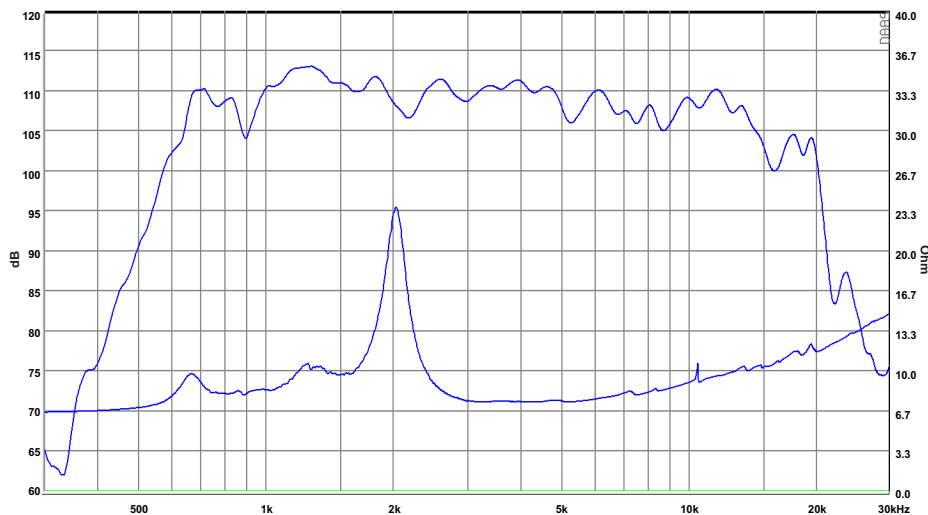
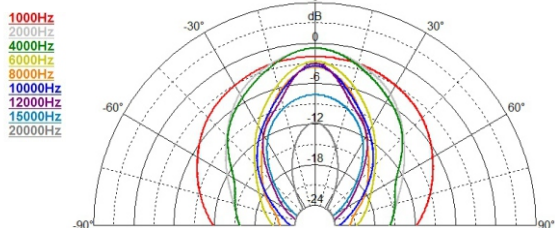
- (1) Measured with BIANCO-44CD-PK driver, 1kHz - 15kHz average
- (2) Measured with BIANCO-44CD-PK driver
- (3) With BIANCO-44CD-PK driver



## HORIZONTAL POLAR PATTERN



## VERTICAL POLAR PATTERN



RESPONSE AND IMPEDANCE CURVES WITH BIANCO-44CD-PK DRIVER, 1 W/1M