

XHYDE 290

Horn - Ext. Hyperbolic Decline - 1.4" 70°

AUDIENCE



- Rigid cast aluminium horn
- Extended/flared hyperbolic decline profile
- Smooth response and directivity control
- Excellent transient behaviour
- Removable mounting flange

Dimensions & Weight

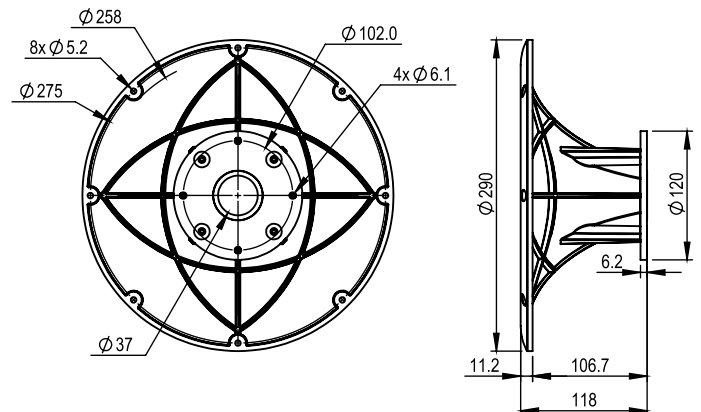
Horn material	Aluminium die cast
Horn finish	Black Matt
Overall diameter	290 mm (11.4 in)
Overall height	118 mm (4.64 in)
Net weight	0.98 kg (2.16 lb)
Gross weight	1.37 kg (3.02 lb)
Carton dimensions (W x D x H)	301 x 301 x 144 mm (11.8 x 11.8 x 5.67 in)

Specs :

Nominal coverage (in the 2-5kHz area)	70°
Directivity	
Directivity factor (Q)	11
Directivity index (Di)	10 dB
Sensitivity	
On driver.1W@1m, on axis ⁽¹⁾	112 dB
Frequency response @-10dB ⁽²⁾	700 Hz - 20 kHz
Nominal throat diameter	35.6 mm (1.4 in)
Minimum recommended crossover ⁽³⁾	1 kHz

Mounting information

Mechanical connection of driver	Bolt on
Baffle cutout diameter	258 mm (10.16 in)



NOTES :

- (1) Measured with ROSSO-65CDN-T driver, 1kHz - 15kHz average
- (2) Measured with ROSSO-65CDN-T driver
- (3) With ROSSO-65CDN-T driver

